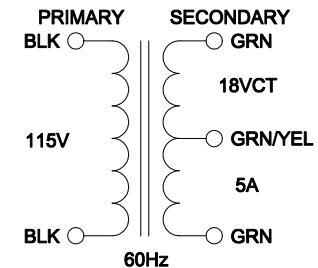
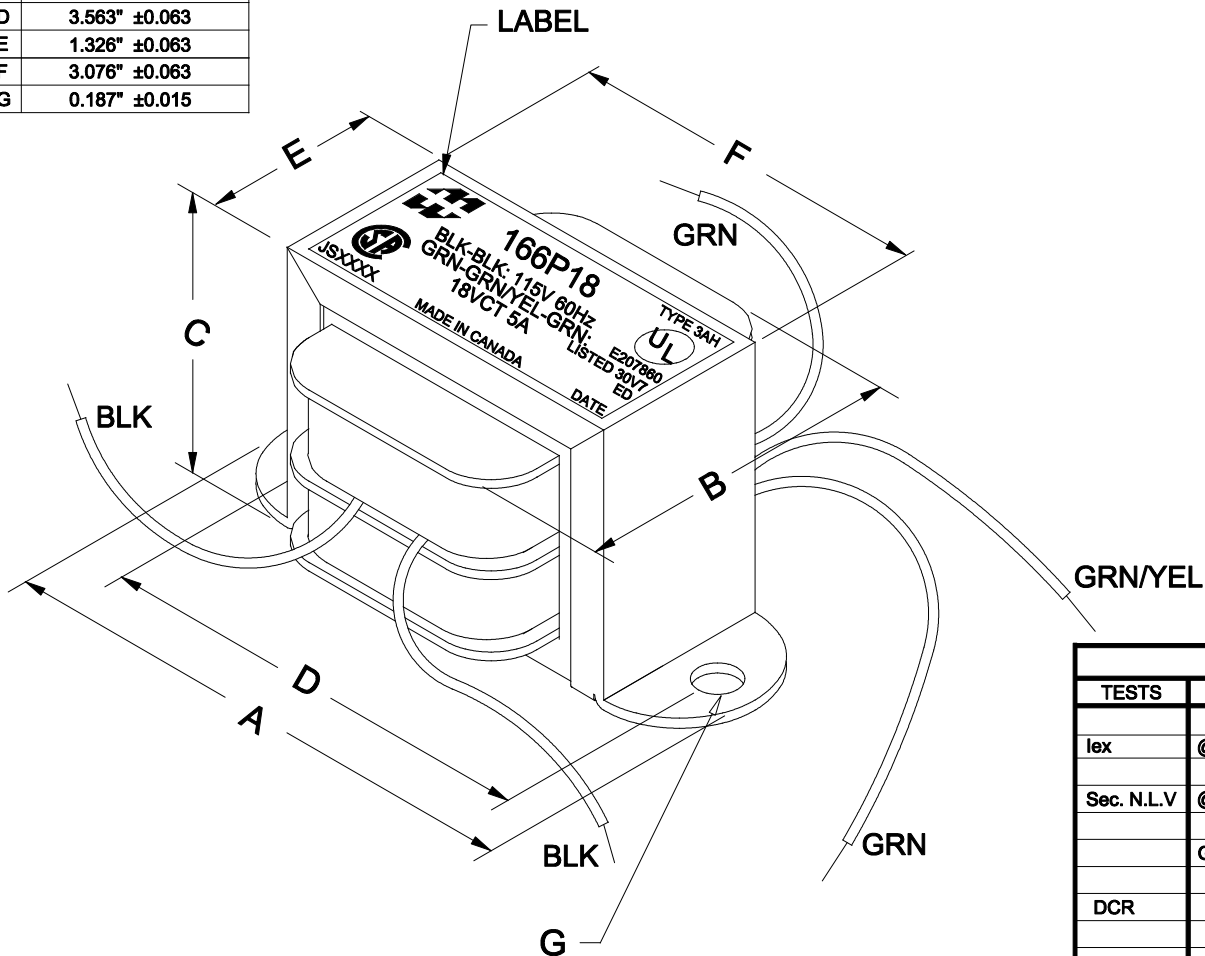


DIMENSIONS:	
A	4.031" ±0.063
B	2.250" ±0.125
C	2.625" ±0.063
D	3.563" ±0.063
E	1.326" ±0.063
F	3.076" ±0.063
G	0.187" ±0.015



NOTE: ALL LEADS 6" OUT MIN. STRIPPED 0.5"

ELECTRICAL DATA:		
TESTS	CONDITIONS	ACCEPTANCE CRITERIA
I _{ex}	@ 115V, 60Hz, BLK - BLK	151.2mA Max.
Sec. N.L.V	@ 115V, 60Hz, BLK - BLK	
	GRN - GRN =	19.48V ±2%
	GRN - GRN/YEL = GRN/YEL - GRN =	9.741V ±2%
DCR	@ 20°C, BLK - BLK =	5.305 Ω ±20%
	@ 20°C, GRN - GRN =	0.143 Ω ±20%
HIPOT	PRIMARY - SECONDARY	2000V, 60Hz, 1 SEC

REV.#	REVISION	DATE	HAMMOND ELECTRONIC DIVISION	
0	RELEASED.	C.I. 06/22/21	52 RANKIN PLACE, WATERLOO, ONTARIO, N2J 3Z5	
			PH # (519) 886-6181	FAX # (519) 886-9540
			DWG. BY: C. ILIE	CHK'D BY:
			DATE: 06/22/21	APP'D. BY:
			DIMENSIONS: IN(X) MM()	
			TITLE: POWER TRANSFORMER	DWG. NO. 166P18