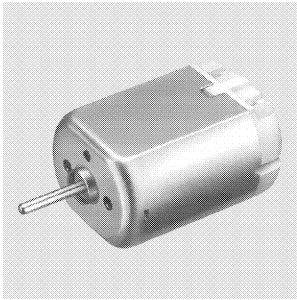
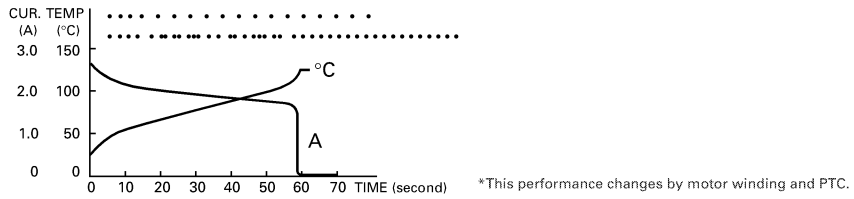


Typical Applications **Automotive Products** : Door Lock Actuator / Trunk Opener

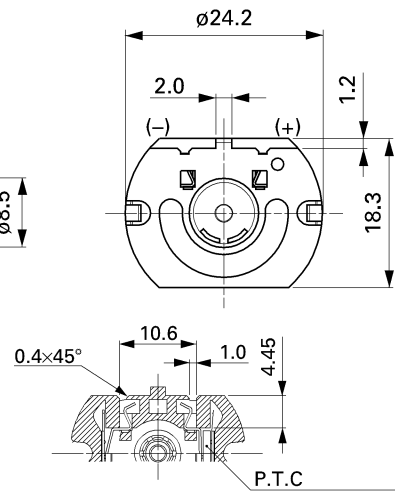
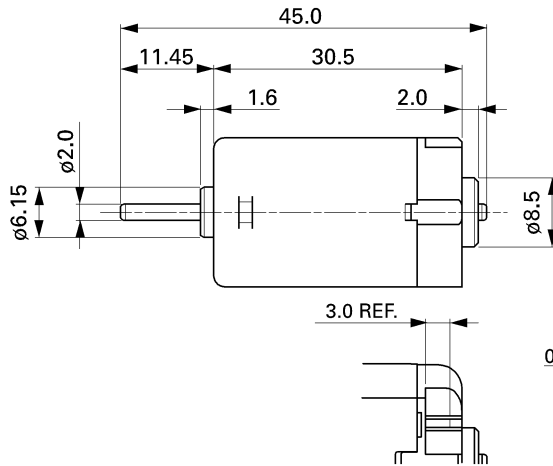
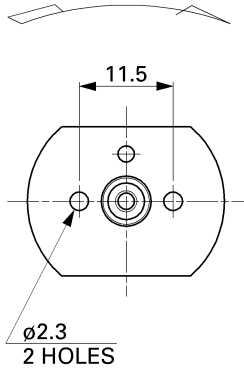


| MODEL | VOLTAGE | | NO LOAD | | AT MAXIMUM EFFICIENCY | | | | | STALL | | |
|----------------|-----------------|--------------|----------------|--------------|-----------------------|--------------|----------------|----------------|-------------|----------------|----------------|--------------|
| | OPERATING RANGE | NOMINAL | SPEED r/min | CURRENT A | SPEED r/min | CURRENT A | TORQUE mN-m | TORQUE g-cm | OUTPUT W | TORQUE mN-m | TORQUE g-cm | CURRENT A |
| FC-280PT-20150 | 9 ~ 15 | 12V CONSTANT | 12000 | 0.11 | 10260 | 0.65 | 4.20 | 42.8 | 4.51 | 28.9 | 295 | 3.80 |
| FC-280ST-18180 | 9 ~ 15 | 12V CONSTANT | 11400 | 0.075 | 9840 | 0.47 | 3.28 | 33.4 | 3.37 | 24.0 | 245 | 3.00 |



DIRECTION OF ROTATION

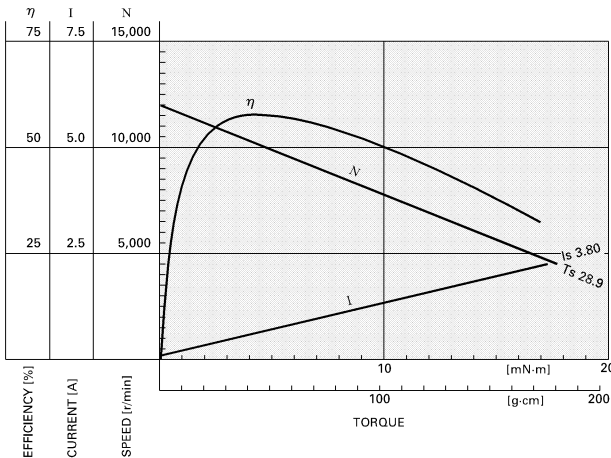
UNIT: MILLIMETERS



WEIGHT: 35g (APPROX)

FC-280PT-20150

12.0V



FC-280ST-18180

12.0V

