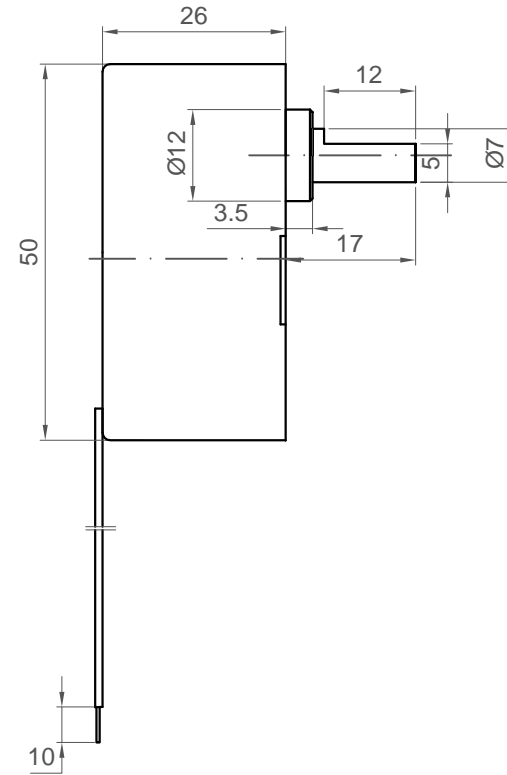
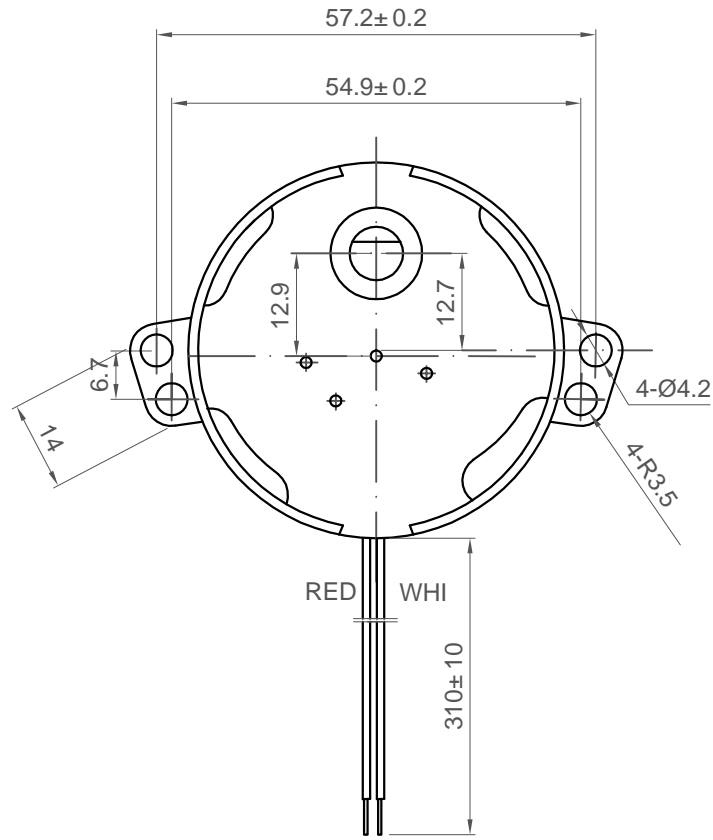


NO.	ITEM	SPECIFICATION
1	Rated Voltage	120VAC
2	Output Speed	6RPM
3	Input Power	≤ 3.5 W
4	Input Current	≤ 40 mA
5	Rated Torque	6.7 Kgf.cm
6	Frequency	60Hz
7	Insulation Class	E
8	Temperature Rise	≤ 60 K
9	Direction of Rotation	CW
10	Run Mode	S1 Continuous

Rev.	Revision	Date
01	Update	6/1/2011



DRAWN	Amily	6/1/2011
CHECKED	Sara	6/1/2011
ENG APPR.		
MFG APPR.		
Q.A.		

UNIT: mm

Sinotech

50TYZ-120V6RPM

SIZE
A4

P/N
213488

REV
01

SCALE: 1.5:1

Weight(kg): 0.5 Kg

SHEET 1 OF 1